

FIRST DEMOLITION ROBOTS

WITH HYBRID DRIVE SYSTEM



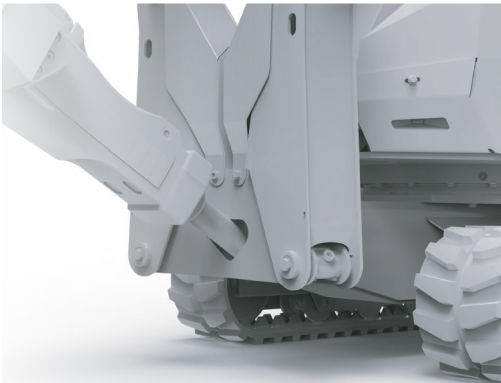
arerobot.com

FEATURES AND BENEFITS

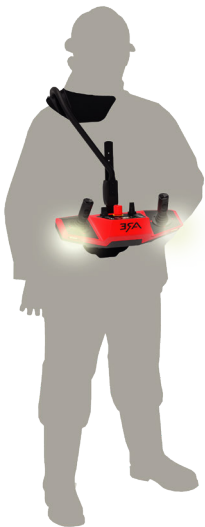
**Smart solutions for safety
and convenience.**



**HYBRID DRIVE SYSTEM
ALLOWS THE ROBOT TO RUN
ON BATTERIES FOR UP TO
35 MINUTES**



**PRACTICAL STORAGE
SPACE FOR THE WORKING TOOL**



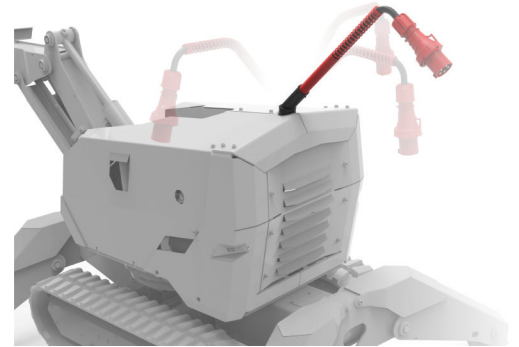
**ERGONOMIC REMOTE
CONTROL WITH LED LIGHTS**



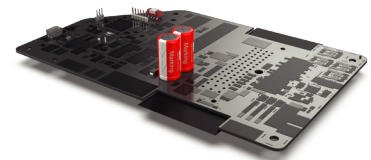
arerobot.com



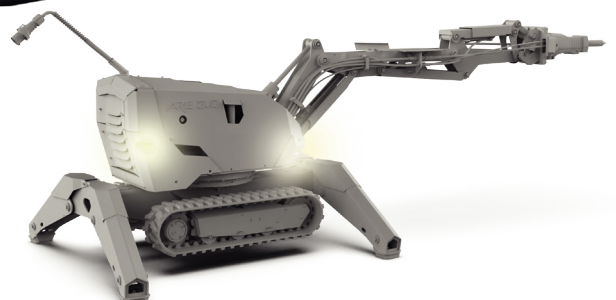
■ **GPS.** LOCATION OF THE ROBOT ON A MAP AND REAL-TIME PARAMETER MONITORING AVAILABLE ONLINE.



■ **FLEXIBLE POWER CONNECTION** THAT ALLOWS **360°** ROTATION.



■ **IPOWER.** POWER CURRENT ANALYSIS SYSTEM AND OPTIMISED CABLE SYSTEM.



■ **INCREASED SAFETY** DUE TO **BETTER VISIBILITY** OF THE ROBOT'S SURROUNDINGS



ARE 1.0

Designed with needs
and comfort of the users in mind.



For more
information,
visit
arerobot.com

General information

Net weight (depending on version) 1100 kg

Arm reach (incl. breaker) 3,7 m (horizontal)

Arm reach (incl. breaker) 4,4 m (vertical)

Performance

Transport speed 3 km/h

Slewing speed 6 rpm

Climbing inclination, max. 30°

Battery run time up to 35 min

Hydraulic system

Pump type Multi-piston, variable displacement

Pump capacity 54 l/min

Max. pressure 180 bar

Hydraulic system volume 35 l

Electric motor

Power 15 kW

Starter type Soft start

Voltage 400 V (50 Hz)

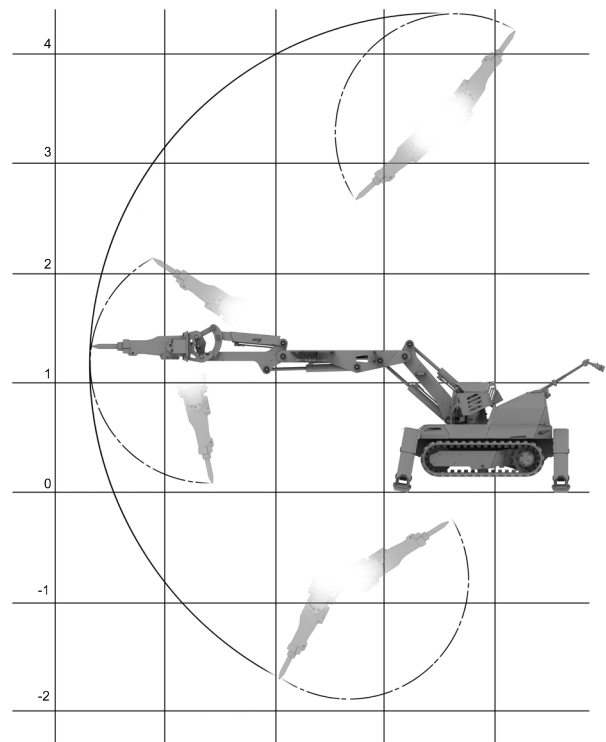
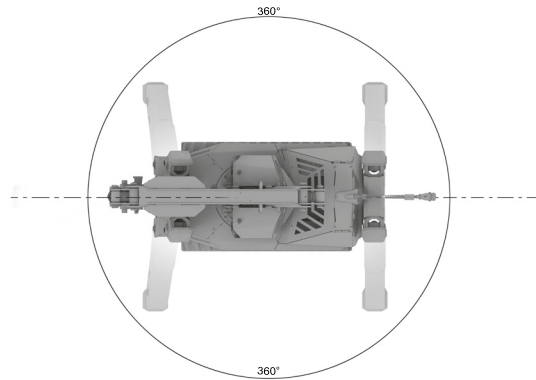
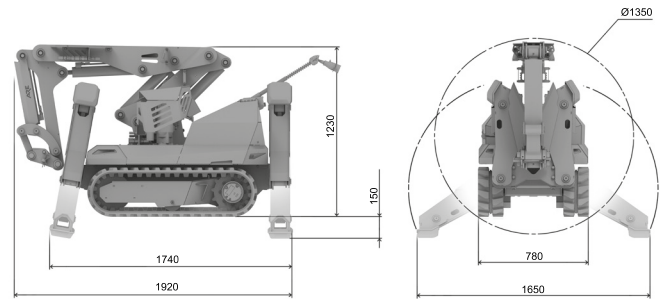
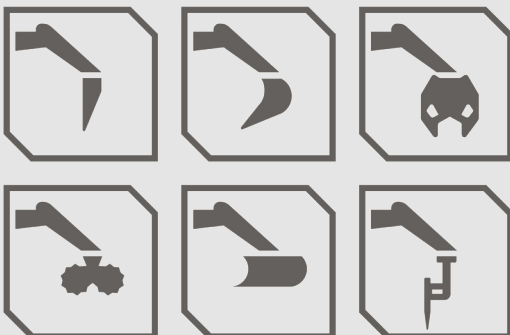
Remote control

Type Bluetooth

Communication Radio or cable

Tools

Recommended tool weight 180 kg



Technical data may vary.

ARE 1.0

ARE 2.0

A compact robot

capable of carrying out more
difficult demolition work.



For more
information,
visit
arerobot.com

General information

Net weight (depending on version) 1850 kg

Arm reach (incl. breaker) 4,45 m (horizontal)

Arm reach (incl. breaker) 5,05 m (vertical)

Performance

Transport speed 2,5 km/h

Slewing speed 6 rpm

Climbing inclination, max. 30°

Battery run time up to 20 min

Hydraulic system

Pump type Multi-piston, variable displacement

Pump capacity 65 - 85 l/min

Max. pressure 230 bar

Hydraulic system volume 65 l

Electric motor

Power 18 - 22 kW

Starter type Soft start

Voltage 400 V (50 Hz)

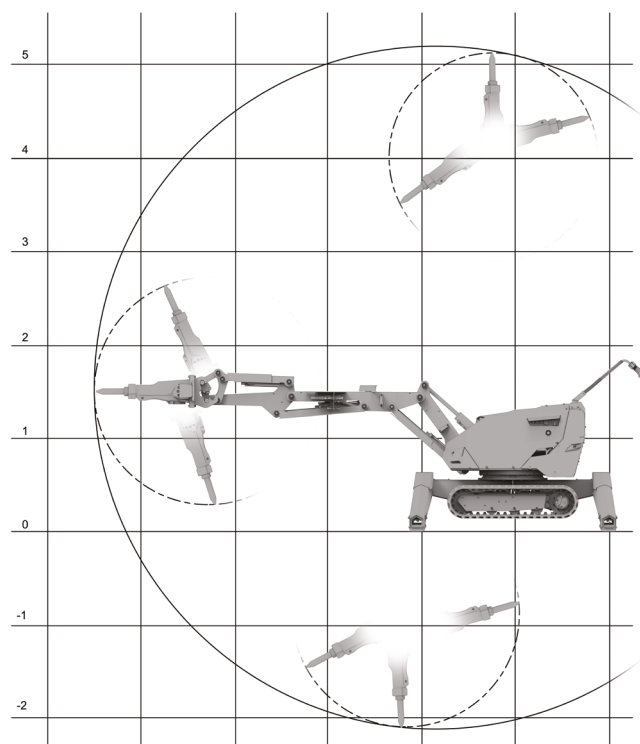
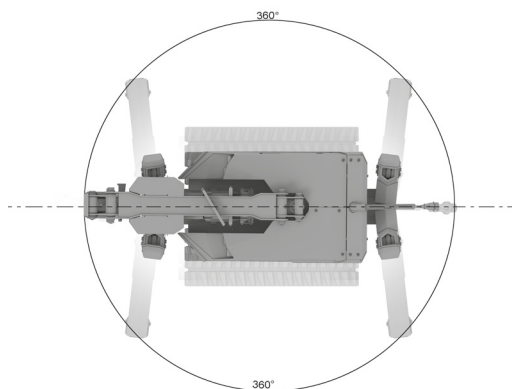
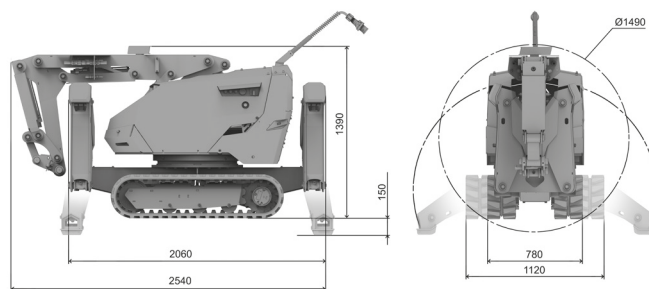
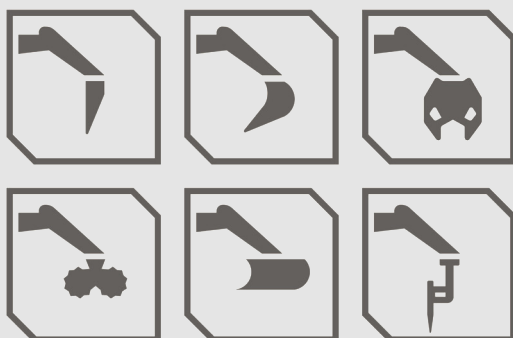
Remote control

Type Bluetooth

Communication Radio or cable

Tools

Recommended tool weight 290 kg



Technical data may vary.

ARE 2.0

ARE 3.0

The largest of the ARE robots,
designed for difficult work in industrial
plants and on construction sites.



For more
information,
visit
arerobot.com

General information

Net weight (depending on version) 3500 kg

Arm reach (incl. breaker) 6,2 m (horizontal)

Arm reach (incl. breaker) 6,7 m (vertical)

Performance

Transport speed 2,5 km/h

Slewing speed 3 rpm

Climbing inclination, max. 30°

Battery run time up to 20 min

Hydraulic system

Pump type Multi-piston, variable displacement

Pump capacity 102 l/min

Max. pressure max 270 bar

Hydraulic system volume 85 l

Electric motor

Power 30 kW

Starter type Soft start

Voltage 400 V (50 Hz)

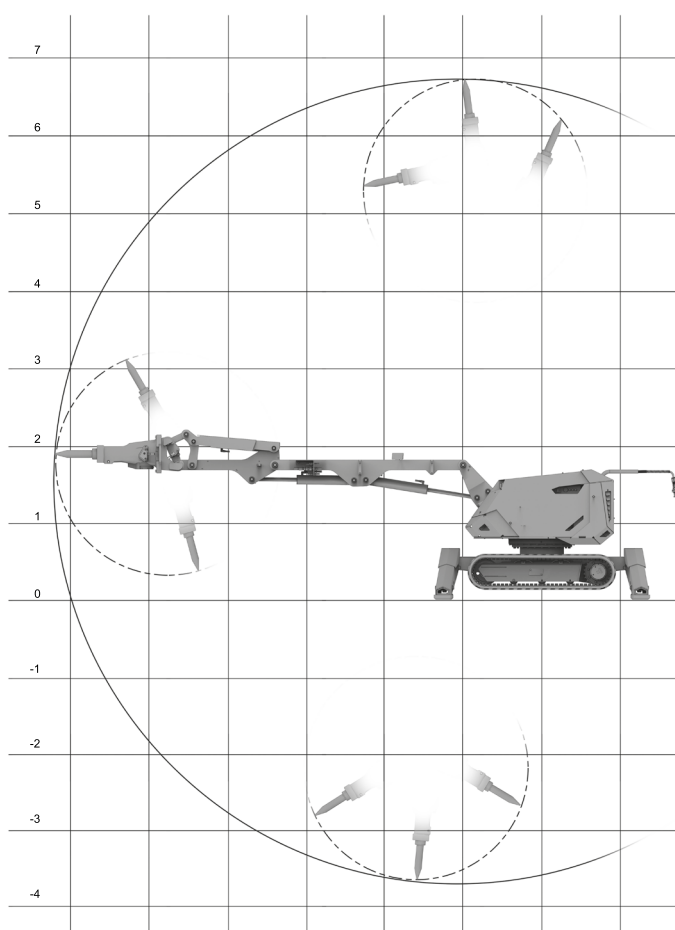
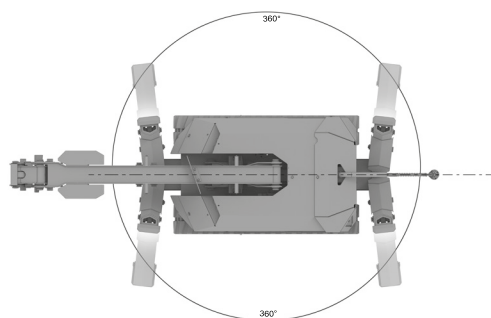
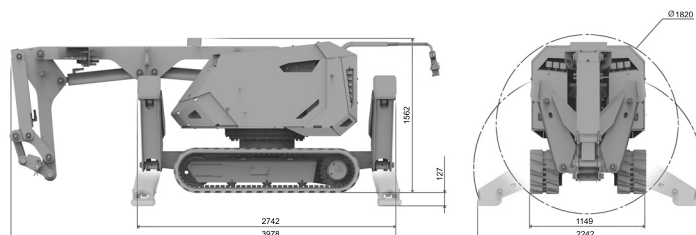
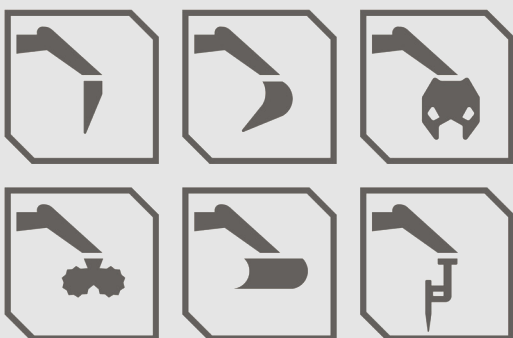
Remote control

Type Bluetooth

Communication Radio or cable

Tools

Recommended tool weight 500 kg



ROBOT MODEL COMPARISON



ARE 1.0

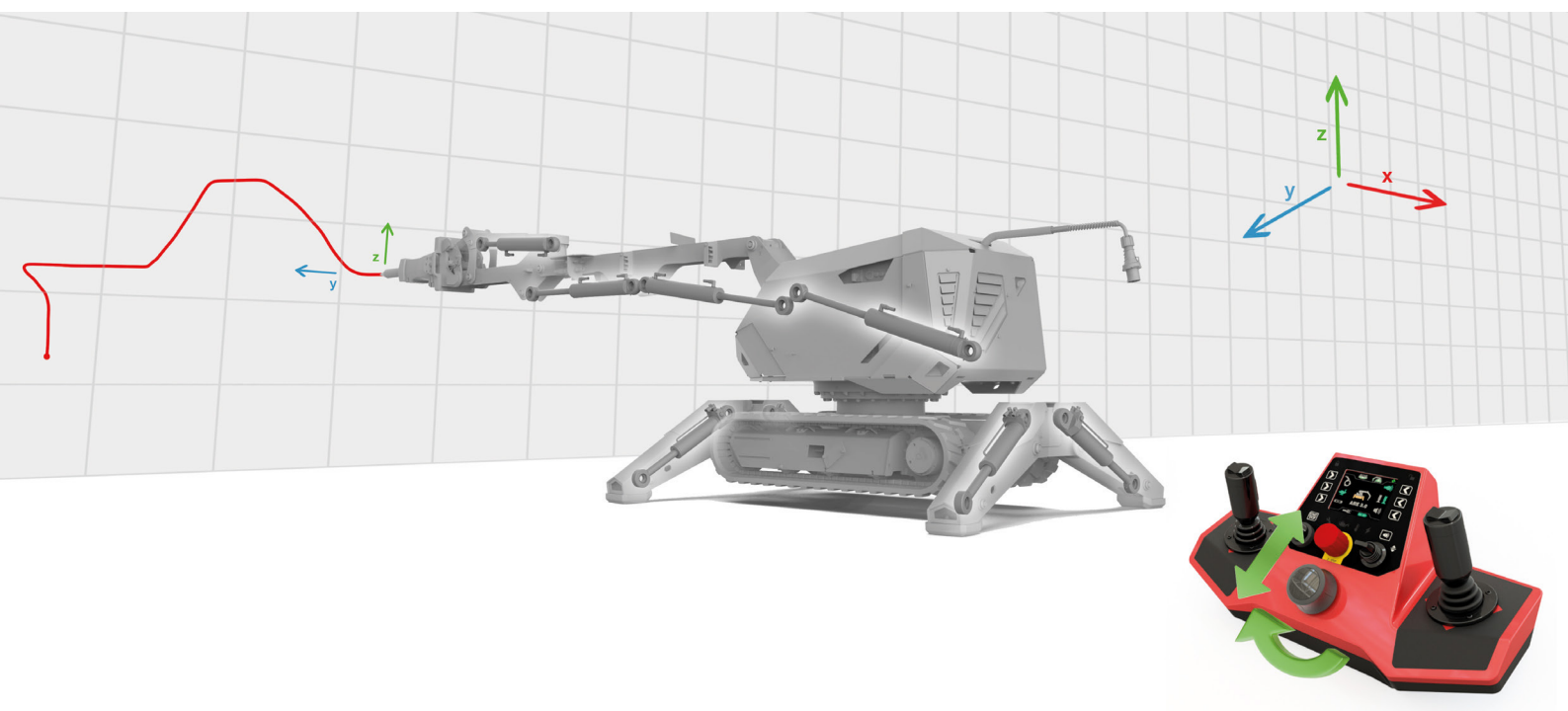
ARE 2.0

ARE 3.0

Net weight (depending on version)	1100 kg	1850 kg	3500 kg
Motor power	15 kW	18 – 22 kW	30 kW
Pump capacity	54 l/min	65 - 85 l/min	102 l/min
Battery run time	up to 35 minutes	up to 20 minutes	up to 20 minutes
Arm's horizontal reach (incl. breaker)	3,7 m	4,45 m	6,2 m
Arm's vertical reach (incl. breaker)	4,4 m	5,05 m	6,7 m
Recommended tool weight	180 kg	290 kg	500 kg

Technical data may vary.

SPECIAL PROJECTS



ROBOT TOOL CONTROL SYSTEM IN 3D SPACE

The functionality of a special version of the ARE robots, based on an inverse kinematics system, allows the programming of automatic arm movements. It allows the robot tool to be controlled according to points or lines set in 3D space. It is possible to programme movement sequences, automatic movements, tool movement only on a preset space or according to virtual axes. At the same time, the operator can carry out precise movements using the 3D manipulator in the remote control.

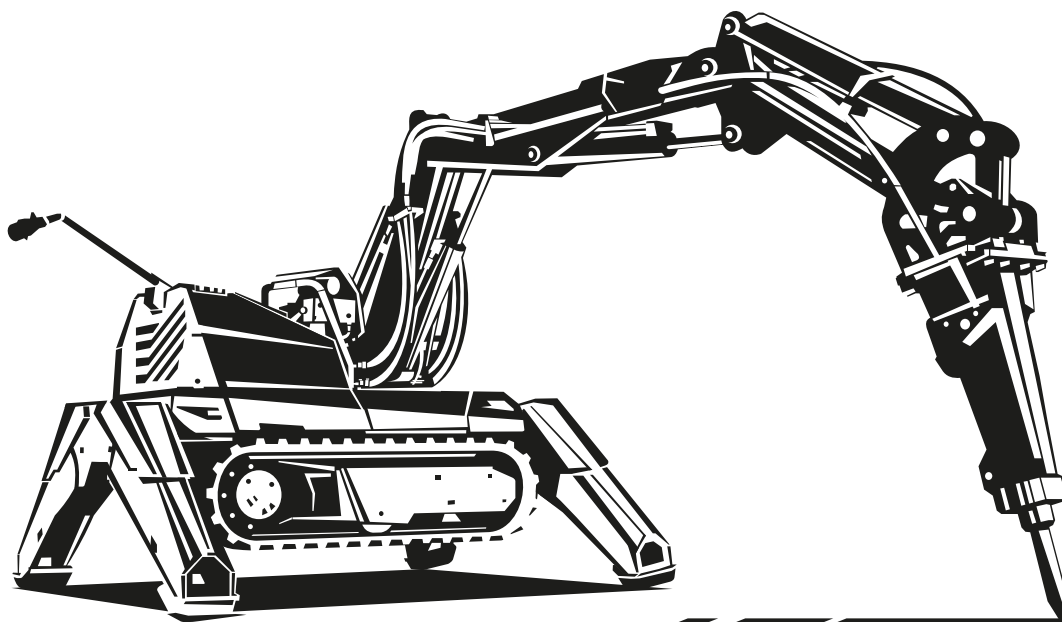


arerobot.com

ARE ROBOTS ARE AN INNOVATION FROM ADVANCED ROBOTIC ENGINEERING

We are a Polish family business.
Based on many years of experience in providing demolition services and equipment servicing, the ARE robot family was created in cooperation with the best Polish universities.

ARE is the response to the challenges of the construction and production industries. Our robots mean greater efficiency, safety and better performance with many innovative features designed to facilitate your everyday work.



SEE WHAT ARE CAN DO FOR YOU!



Advanced
Robotic
Engineering

biuro@arerobot.com
+48 791 041 514

ADVANCED ROBOTIC
ENGINEERING SP. Z O.O.
UL. STARGARDZKA 9B
54-156 WROCŁAW