

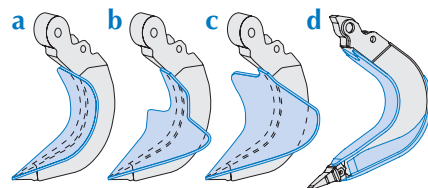
# G 951 - G A450 - G 1551 G1850 - G 7080

## Multi tine grab



- 1 Male suspension link.
- 2 Free or 360° hydraulic rotation.
- 3 Body in high tensile steel. Inner hoses. Cylinders protection frame.
- 4 Protected rams.
- 5 HF treated pins.
- 6 3, 4 or 5 tines in wear resistant steel.
- 7 Removable teeth.

**Options :** (a) vertical half closed  
(b) horizontal half closed  
(c) full orange peel  
(d) roc version



Min.

Max.

ø

A

B

C

D

E

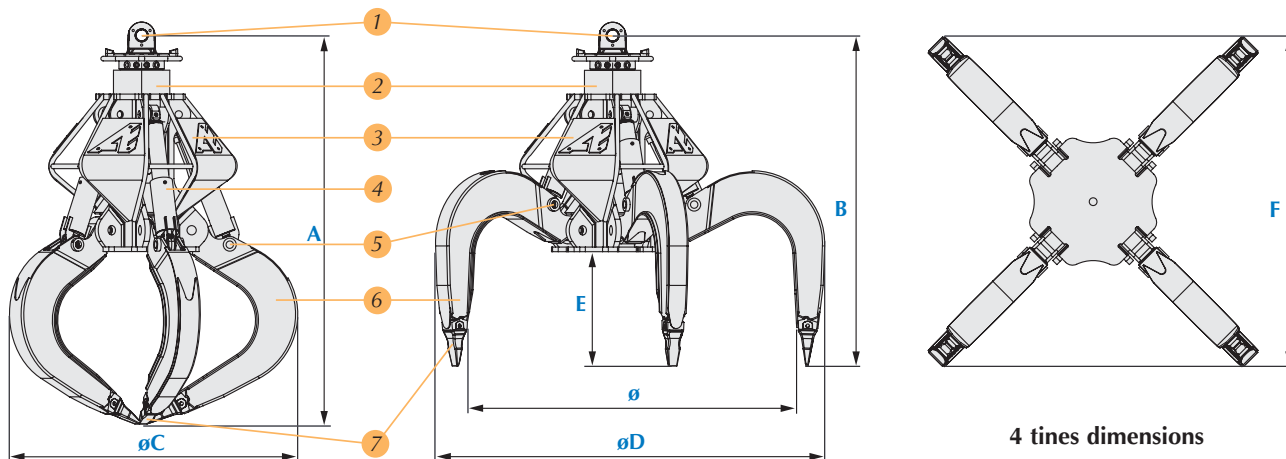
F



	t	t	liter	kg	kg	mm	mm	mm	mm	mm	mm	mm	bar	liter/mn	bar	liter/mn	t
<b>G 951</b>	6	6	360	700	855	1750	1620	1325	1342	1916	430	1430	320 <sub>max.</sub>	45/95	320 <sub>max.</sub>	7/10 <sub>max.</sub>	11/15
<b>G A450</b>	10	10	400	1100	1300	1800	1970	1620	1320	2100	390	1520	350 <sub>max.</sub>	70/140	140 <sub>max.</sub>	10/15 <sub>max.</sub>	16/23
<b>G A450</b>	10	10	600	1200	1400	2000	2080	1650	1450	2320	420	1620	350 <sub>max.</sub>	70/140	140 <sub>max.</sub>	10/15 <sub>max.</sub>	16/23
<b>G 1551</b>	15	15	800	1660	2065	2200	2210	1850	1860	2460	640	1830	350 <sub>max.</sub>	95/190	250 <sub>max.</sub>	18/27 <sub>max.</sub>	24/30
<b>G 1551</b>	15	15	1000	1710	2115	2350	2300	1900	1985	2616	680	1940	350 <sub>max.</sub>	95/190	250 <sub>max.</sub>	18/27 <sub>max.</sub>	24/30
<b>G 1850</b>	-	20	780	2600	3105	2400	2460	2115	1770	2700	700	2080	350 <sub>max.</sub>	145/285	250 <sub>max.</sub>	20/30 <sub>max.</sub>	31/38
<b>G 1850</b>	-	20	1075	3000	3505	2800	2520	2060	2070	3060	650	2280	350 <sub>max.</sub>	145/285	250 <sub>max.</sub>	20/30 <sub>max.</sub>	31/38
<b>G 1850</b>	-	25	780	2700	3205	2400	2560	2215	1770	2700	700	2080	350 <sub>max.</sub>	145/285	250 <sub>max.</sub>	24/36 <sub>max.</sub>	39/45
<b>G 1850</b>	-	25	1075	3100	3605	2800	2620	2160	2070	3060	650	2280	350 <sub>max.</sub>	145/285	250 <sub>max.</sub>	24/36 <sub>max.</sub>	39/45
<b>G 7080</b>	-	25	2200	3460	4160	3200	3030	2465	2290	3595	775	2650	350 <sub>max.</sub>	240/480	250 <sub>max.</sub>	24/36 <sub>max.</sub>	46/53

kg : weight of 5 tines version, without suspension link.

### G 951 - G A450 - G 1551 - G 1850 - G 7080



4 tines dimensions