



PAM65 - Technical Data

DESCRIPTION

The P.A.M. is an ergonomic positioning device that makes effortless manipulation of heavy hand held tools. It also significantly decreases the vibration generated by many tools. The P.A.M. is composed of the four following sub-groups :

- ◆ The hydraulic booms allow the positioning of the tool handling turret. The use of hydraulics and an efficient rotating base locking mechanism, provide the stiffness required to handle all the incurring loads along with a very stable work position. Should there be a hydraulic hose failure, both cylinders are equipped with safety valves preventing the collapse of the booms in order for them to maintain their positions.
- ◆ Many type of tools (30kg - 66 Lbs or less) can be mounted on the turret. (Pneumatic hammer, rock drill hydro-demolition tool, etc.) It also allows 3 degrees of freedom and incorporates a 200mm (8 inches) forward moving carrier that greatly reduces the vibrations generated by the tool.
- ◆ Compressed air is used to generate both the electric & hydraulic energy required to use the P.A.M. in a self-contained & environmental friendly fashion. The power unit is equipped with complete compressed air processing (filtering & lubrication).
- ◆ On-site manual displacements are performed with the under buggy. This buggy is also equipped with 3 stabilizers for optimal working stability. To the 4 standard wheel casters, 2 optional Rough Terrain Wheels (RTW) can easily be added or removed to fit through narrow paths.

CHARACTERISTICS

Weight: 568 kg - 1252 Lbs (Without Tool)

Dimensions & Surface Coverage: Pages 2, 3 & 4

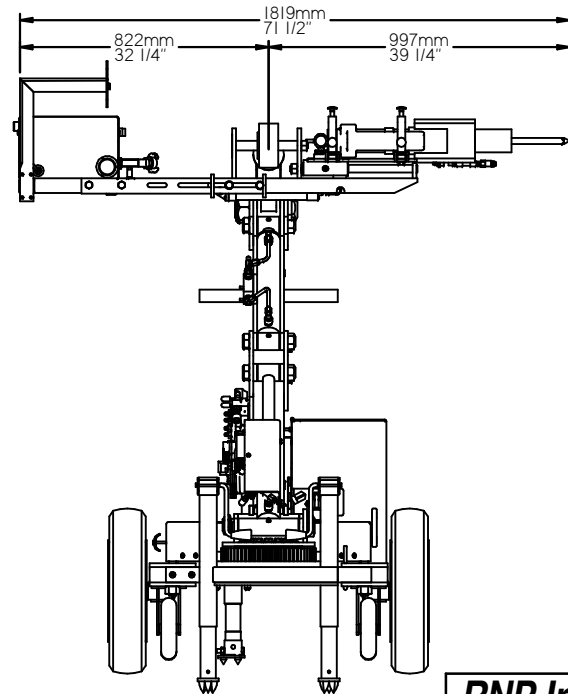
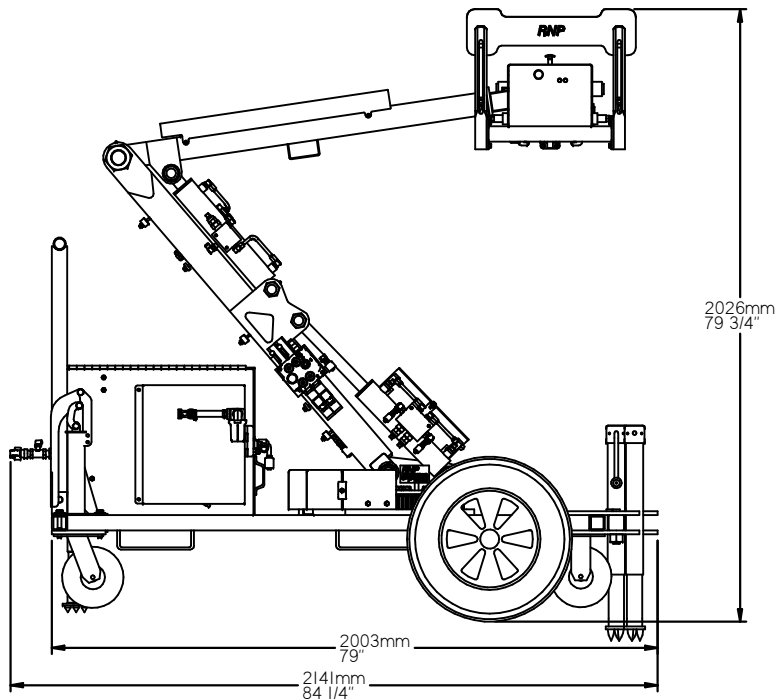
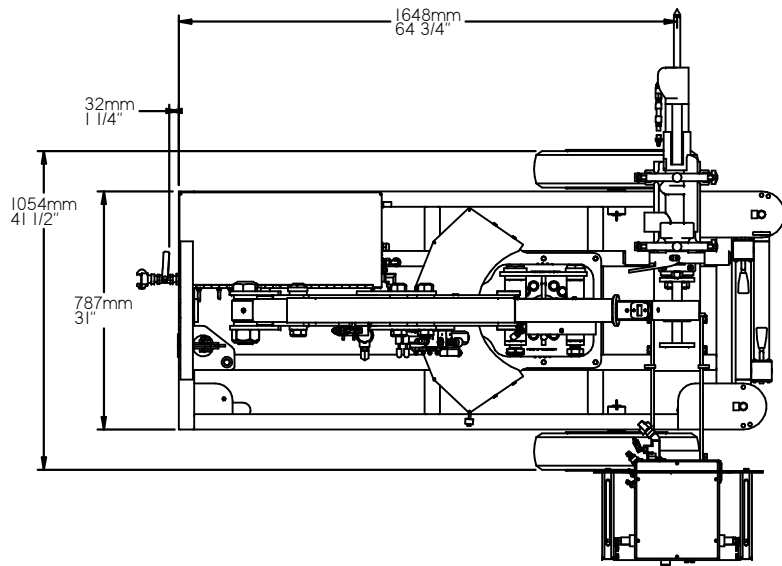
Operating temperature: -15 to 40 °C - (5 to 104°F)

Pneumatic oil mixed with antifreeze (Killfrost) may be required based on operating temperature

Power Unit air consumption: 560 LPM @700 kPa - (148 GPM @ 100 PSI)

Electric System:	Tension : 12VDC Power : 180 Watt Control : IP65	Hydraulic System:	Flow 2.8 LPM - (0.74 GPM) (adjustable) Pressure 90 Bar - (1300 PSI) Oil grade 32 Filtration 10 micron
Pneumatic System:	Max pressure: 800 kPa - (120 PSI) Filtration: 5 micron Automatic oiler Adjustable activation delay Applied pressure on work surface (by tool) 0 to 1385 N (175 Lbf) Adjustable drawback speed	Mechanical Syst.:	Boom Rotation: 84° 4° increment Bushing supports Dust suppressing water spray (30 LPH - 8 GPH)

PAM Ove 65 (PI098) DIMENSIONS IN A
CLOSED & CENTERED POSITION



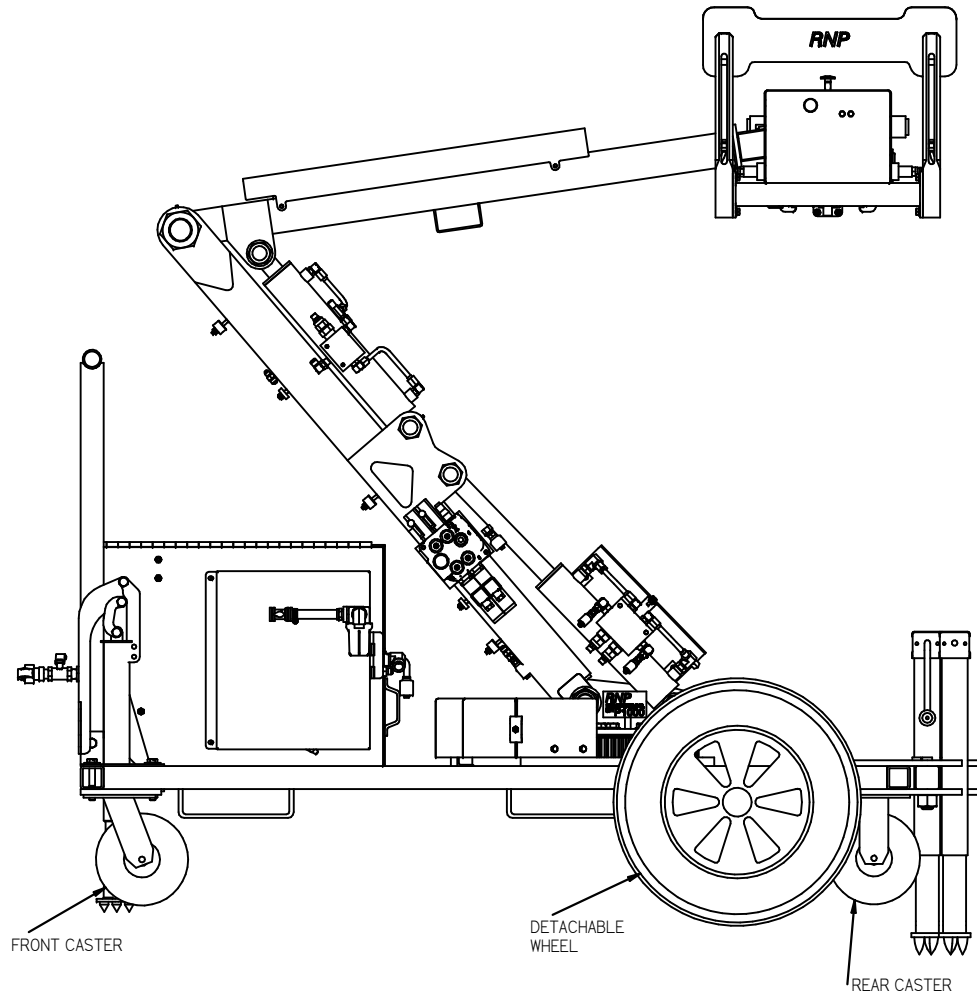
CE DOCUMENT EST LA PROPRIÉTÉ DE RNP INDUSTRIES INC. TOUTE REPRODUCTION TOTALE OU PARTIELLE PAR QUELCONQUES MOYENS EST INTERDITE SANS LE
CONSENTEMENT ÉCRIS DE RNP INDUSTRIES INC.
THIS DOCUMENT IS THE PROPERTY OF RNP INDUSTRIES INC. ANY REPRODUCTION IN WHOLE OR IN PART BY ALL MEANS IS STRICTLY PROHIBITED WITHOUT THE WRITTEN
AUTHORIZATION BY RNP INDUSTRIES INC.

RNP Industries Inc.
TEL: 450-437-5355 112 PREVOST
BOISBRIAND, QUEBEC
FAX: 450-437-2651 J7G 2S2
www.rnpind.com

PAM - GENERAL ASSEMBLY

REV:
00

PAM Ove 65 (P1098) WEIGHT DISTRIBUTION IN A CLOSED & CENTERED POSITION



WITH DETACHABLE WHEEL : FRONT CASTERS 410 Lbs (186 Kg) --- 205 Lbs (93 Kg) / CASTER
TIRES 890 Lbs (404 Kg) --- 445 Lbs (202 Kg) / TIRE

WITHOUT DETACHABLE WHEEL : FRONT CASTERS 560 Lbs (254 Kg) --- 280 Lbs (127 Kg) / CASTER
REAR CASTERS 690 Lbs (313 Kg) --- 345 Lbs (156 Kg) / CASTER

RNP Industries Inc.

TEL: 450-437-5355
FAX: 450-437-2651

112 PREVOST
BOISBRIAND, QUEBEC
J7G 2S2
www.rnpind.com

CE DOCUMENT EST LA PROPRIÉTÉ DE RNP INDUSTRIES INC. TOUTE REPRODUCTION TOTALE OU PARTIELLE PAR QUELCONQUES MOYENS EST INTERDITE SANS LE
CONSENTEMENT ÉCRIS DE RNP INDUSTRIES INC.
THIS DOCUMENT IS THE PROPERTY OF RNP INDUSTRIES INC. ANY REPRODUCTION IN WHOLE OR IN PART BY ALL MEANS IS STRICTLY PROHIBITED WITHOUT THE WRITTEN
AUTHORIZATION BY RNP INDUSTRIES INC.

2014 PAM P1098 WHEEL LOAD METRIQUE.dft / 2014-04-04

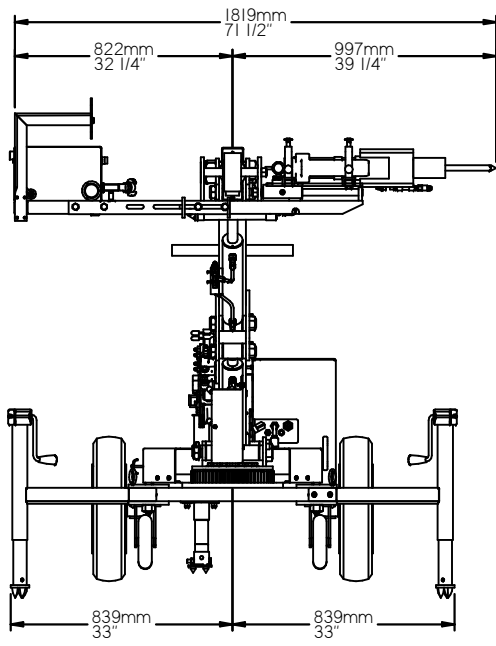
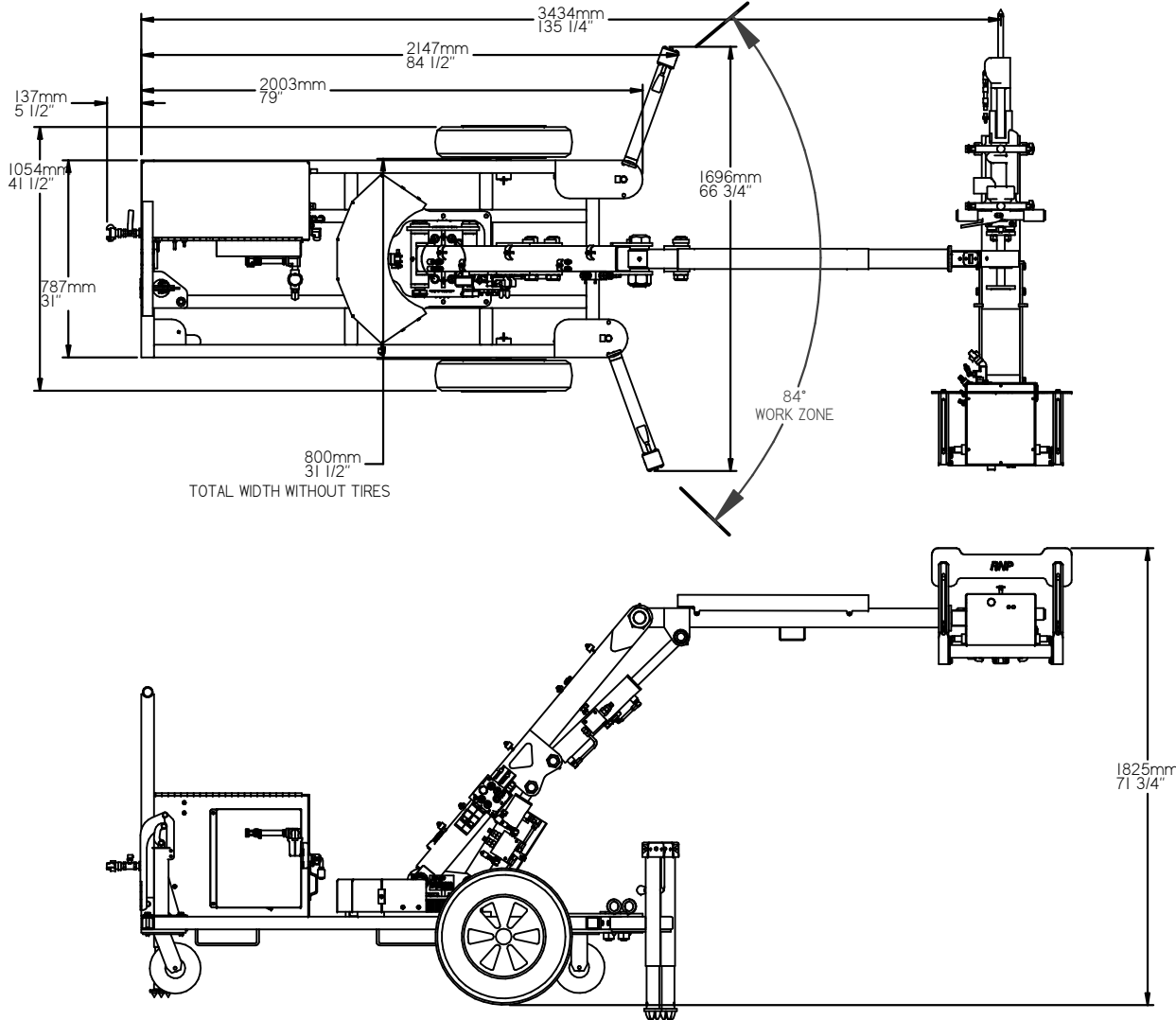
PAM - GENERAL ASSEMBLY

REV:
00

*DIMENSIONS OF PAM 0ve 65
FULLY DEPLOYED*

MASS :
590 Kg (1300 Lbs) **with** Tires
567 Kg (1250 Lbs) **without** Tires

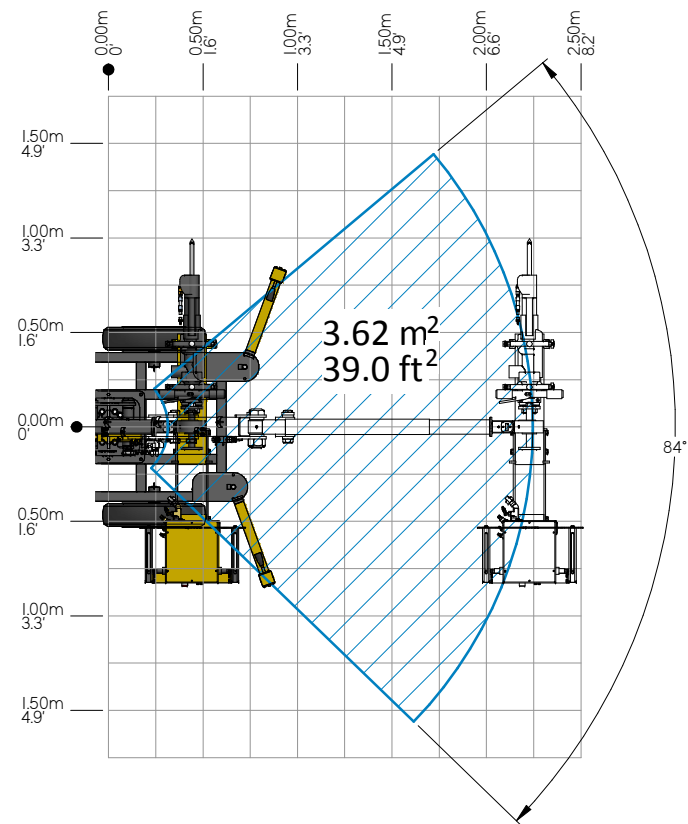
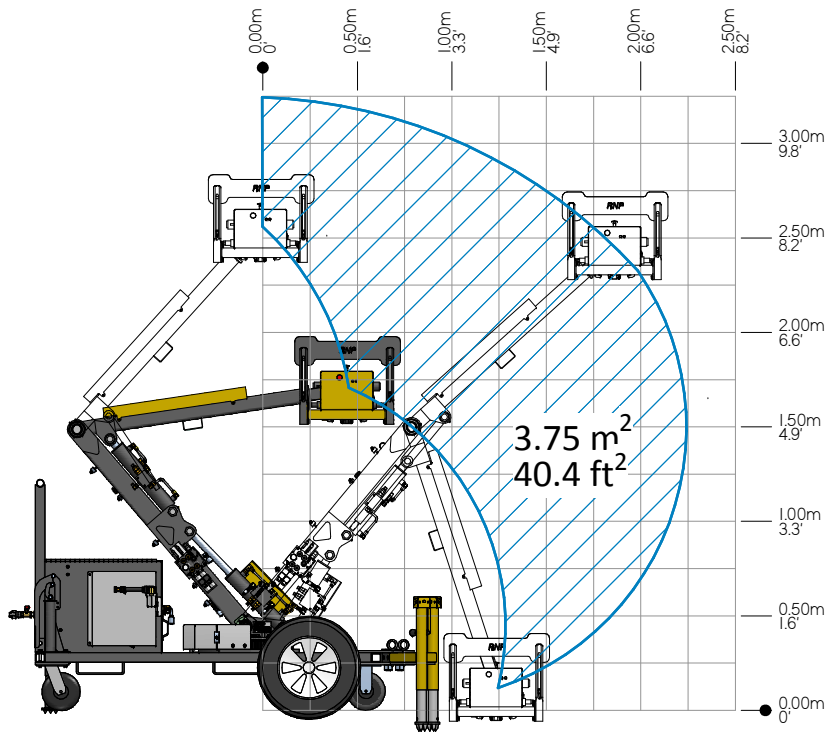
NOTE :
THE MAXIMUM APPLIED WEIGHT TO THE
STABILIZER ARMS RANGE FROM 227 TO
408 Kg (500 TO 900 LBS) DEPENDING ON
THE WORK ZONE ANGLE
(With a vertically applied dynamic load)



CE DOCUMENT EST LA PROPRIÉTÉ DE RNP INDUSTRIES INC. TOUTE REPRODUCTION TOTALE OU PARTIELLE PAR QUELCONQUES MOYENS EST INTERDITE SANS LE
CONSENTEMENT ÉCRIS DE RNP INDUSTRIES INC.
THIS DOCUMENT IS THE PROPERTY OF RNP INDUSTRIES INC. ANY REPRODUCTION IN WHOLE OR IN PART BY ALL MEANS IS STRICTLY PROHIBITED WITHOUT THE WRITTEN
AUTHORIZATION BY RNP INDUSTRIES INC.

RNP Industries Inc.
 TEL: 450-437-5355 112 PREVOST
 FAX: 450-437-2651 BOISBRIAND, QUEBEC
 J7G 2S2
 www.rnpind.com
PAM - GENERAL ASSEMBLY REV: 00

PAM Ove 65 Surface Coverage



NOTES

ALWAYS OPERATE THE P.A.M. IN A NATURAL STANDING POSITION

THE ILLUSTRATED SURFACE COVERAGE IS DEFINED BY THE TURRET'S BALL JOINT POSITION. THE SURFACE COVERAGE WOULD BE LARGER BY THE ROTATION OF THE TURRET BY THIS BALL JOINT.